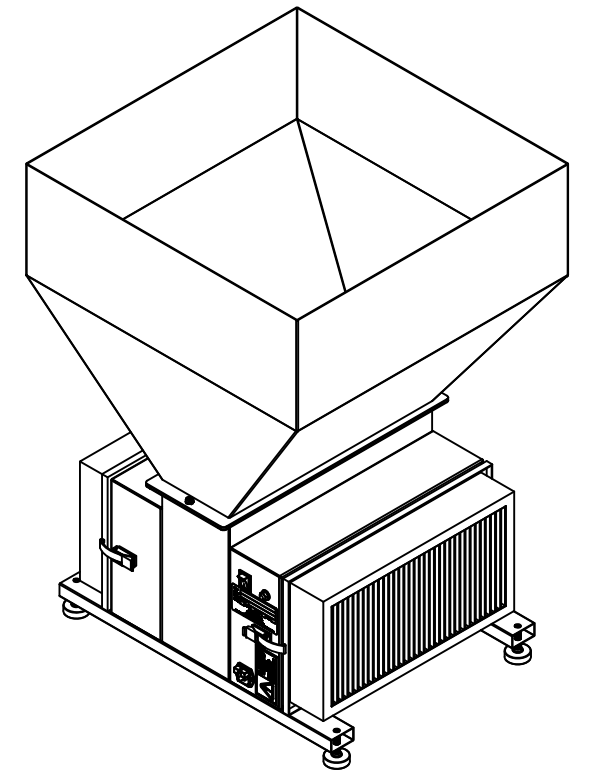
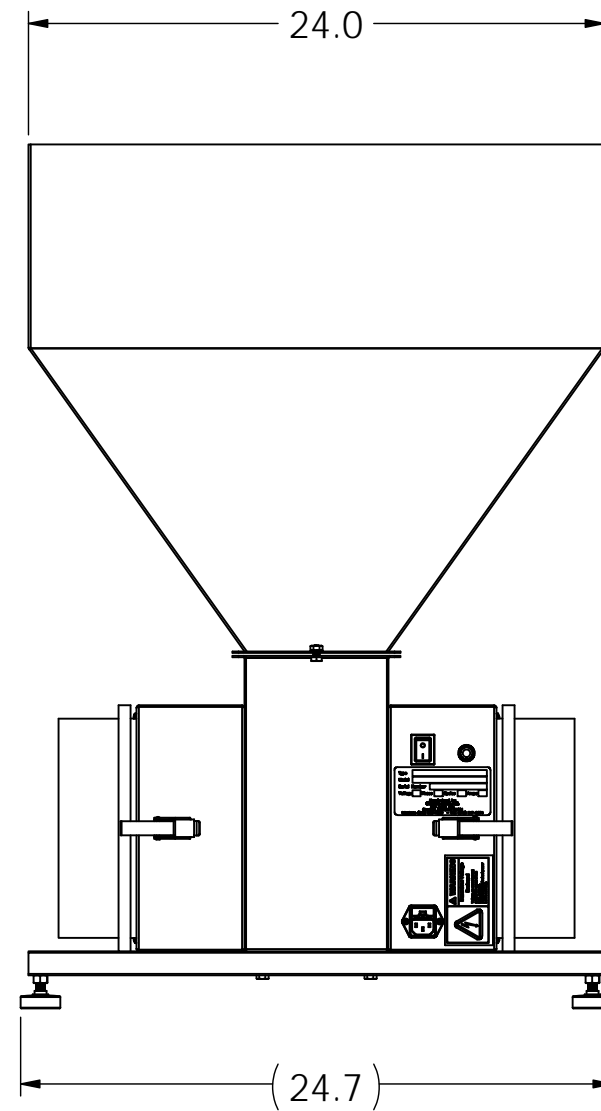
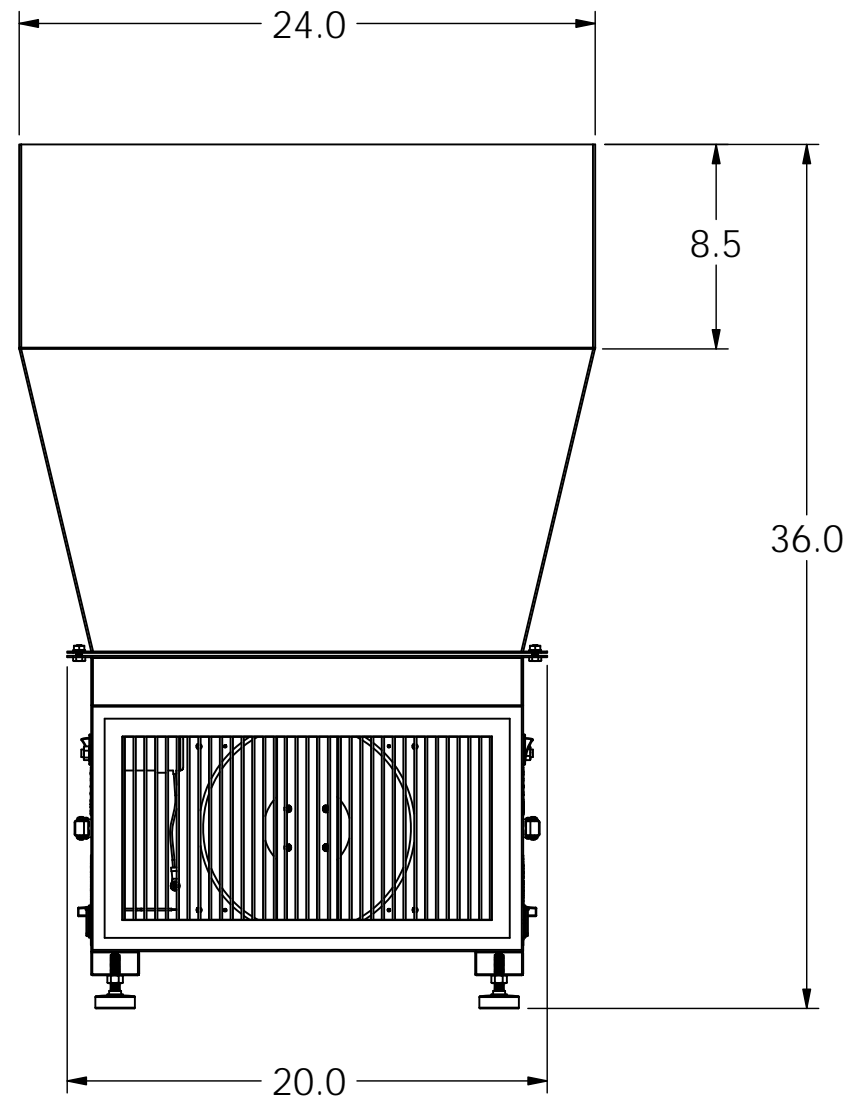


| REVISIONS |             |          |          |
|-----------|-------------|----------|----------|
| REV.      | DESCRIPTION | DATE     | APPROVED |
| PR.1      | PROTOTYPE   | 11/23/20 |          |



PART NO. SK-03 (11-23-20)

NOTE: THIS PRINT AND THE SUBJECT MATTER SHOWN HEREON ARE PROPRIETARY TO **CRYSTAL MARK, INC.** IT IS SUBMITTED IN CONFIDENCE FOR THE USE OF THE RECIPIENT ALONE. IT IS NOT TO BE REPRODUCED OR USED FOR ANY PURPOSE OTHER THAN MANUFACTURING ON A C.M.I. ORDER. OTHER USE ALLOWABLE ONLY WITH PRIOR WRITTEN CONSENT.

NOTES: UNLESS OTHERWISE SPECIFIED:

| DRILLED HOLES |             |
|---------------|-------------|
| DIAMETER      | TOLERANCE   |
| .7656-1.000   | +.007,-.003 |
| .250-.750     | +.005,-.002 |
| .1875-.246    | +.004,-.002 |
| .00135-.185   | +.003,-.002 |

|  |          |           |       |
|--|----------|-----------|-------|
| DO NOT SCALE THE DRG.  | DR       | R. STUEVE | 11/20 |
| BREAK ALL SHARP EDGES  | APP      |           |       |
| <b>TOLERANCES:</b><br>ALL DIMS. ARE IN INCHES<br>COMPL. TOL. APPLY TO STOCK SIZES<br>.XX = ±.01 .XXX = ±.005<br>ANGULAR MACH. SURFACES ✓<br>DIMENSIONS APPLY AFTER FINISHING, HEAT TREATMENT AND PLATING | MATERIAL |           |       |
|  | FINISH   |           |       |
| THIRD ANGLE PROJECTION   |          |           |       |

|                              |                                  |   |               |
|------------------------------|----------------------------------|---|---------------|
|                              |                                  | <b>C.C. Steven &amp; Associates</b><br><a href="http://www.ccsteven.com">www.ccsteven.com</a><br>805-658-0207 |               |
| TITLE <b>TWIN BLOWER PCS</b> |                                  |   |               |
| SIZE <b>B</b>                | DATE 11/23/2020<br>MO / DAY / YR | DRAWING NO. <b>SK-03 (11-23-20)</b>   | REV <b>PR</b> |
| NEXT ASSY                    | SCALE: 1:8                       | SHEET 1 OF 1  |               |