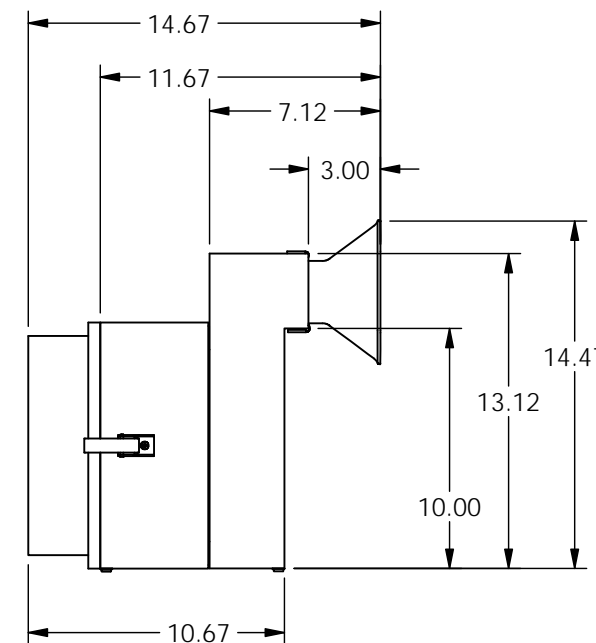
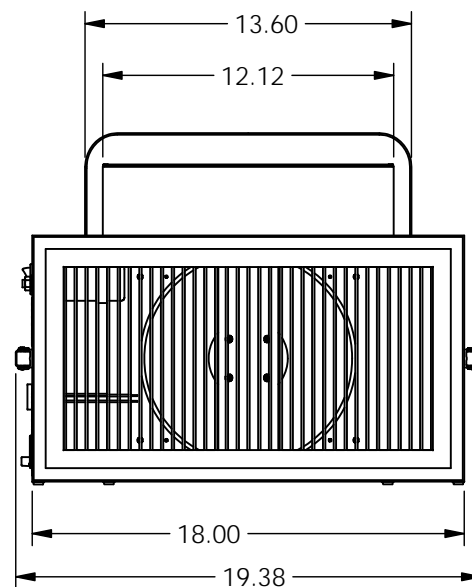
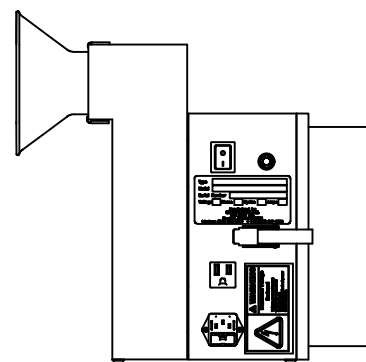
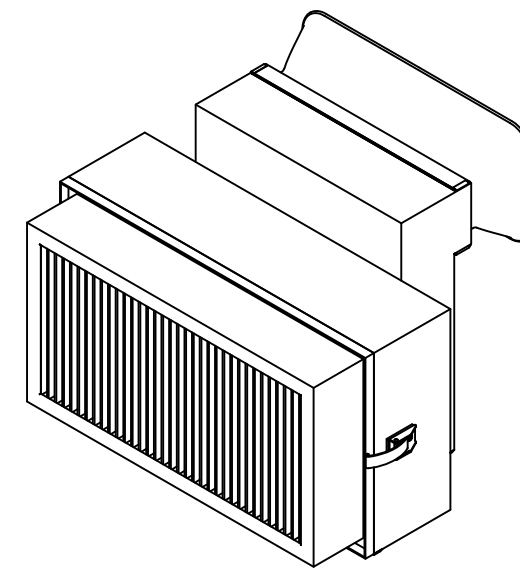
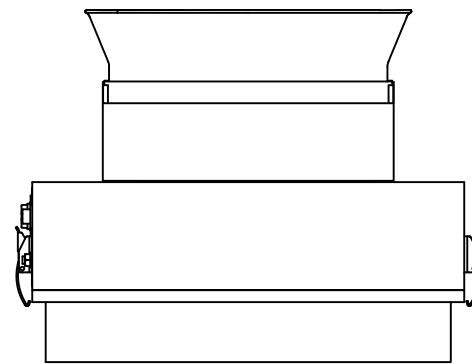


BACK VIEW



NOTE: THIS PRINT AND THE SUBJECT MATTER SHOWN HEREON ARE PROPRIETARY TO **CRYSTAL MARK, INC.** IT IS SUBMITTED IN CONFIDENCE FOR THE USE OF THE RECIPIENT ALONE. IT IS NOT TO BE REPRODUCED OR USED FOR ANY PURPOSE OTHER THAN MANUFACTURING ON A C.M.I. ORDER. OTHER USE ALLOWABLE ONLY WITH PRIOR WRITTEN CONSENT.

Particle Capture System

"MUON TRAP"

Exclusively Sold by:
C.C. Steven & Associates, Inc.

www.ccsteven.com
www.particlecapturesystem.com

805-658-0207

C.C. Steven

PART NO. PCS-MT-TT

SCALE:
1:8

DATE
6/09/2017