

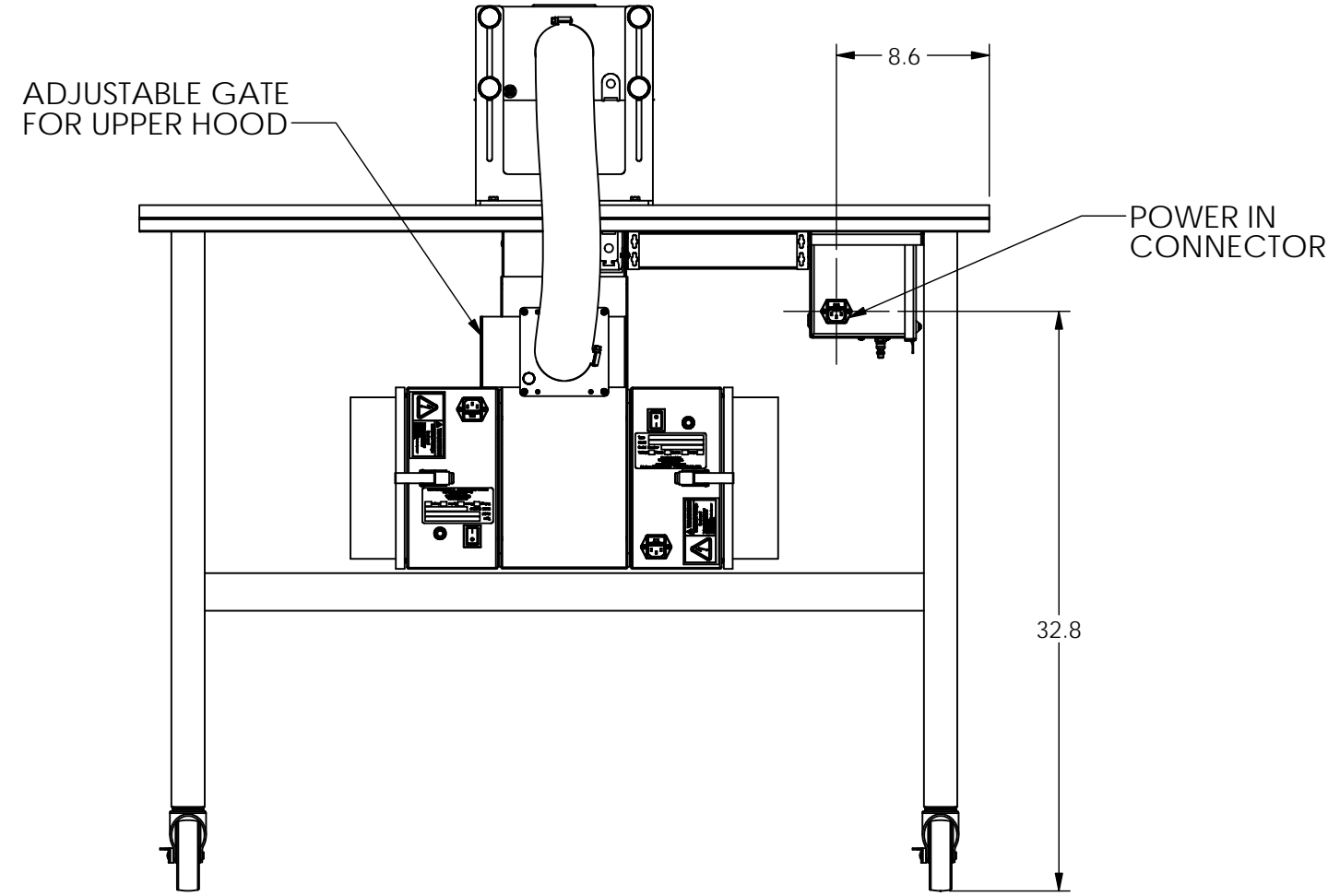
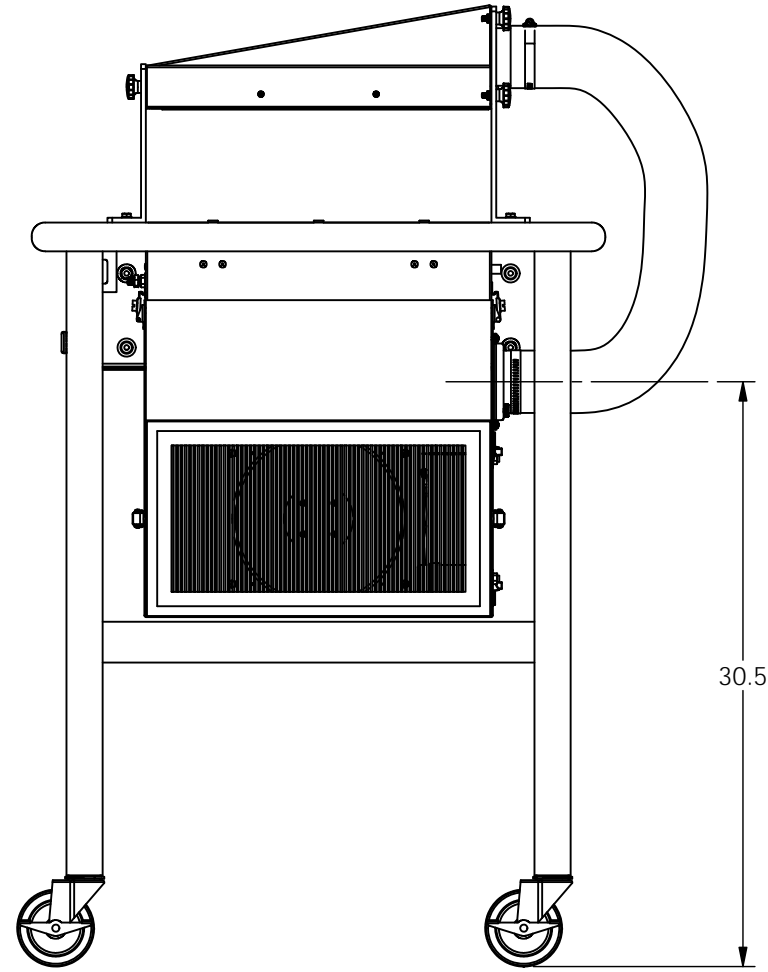
PART NO. PCS-CT

NOTE: THIS PRINT AND THE SUBJECT MATTER SHOWN HEREON ARE PROPRIETARY TO **CRYSTAL MARK, INC.** IT IS SUBMITTED IN CONFIDENCE FOR THE USE OF THE RECIPIENT ALONE. IT IS NOT TO BE REPRODUCED OR USED FOR ANY PURPOSE OTHER THAN MANUFACTURING ON A C.M.I. ORDER. OTHER USE ALLOWABLE ONLY WITH PRIOR WRITTEN CONSENT.

NOTES: UNLESS OTHERWISE SPECIFIED:

DRILLED HOLES	
DIAMETER	TOLERANCE
.7656-1.000	+.007,-.003
.250-.750	+.005,-.002
.1875-.246	+.004,-.002
.00135-.185	+.003,-.002

DO NOT SCALE THE DRG.	DR	R. STUEVE	09/22	<i>C.C. Steven</i>	C.C. Steven & Associates Inc. www.CCSTEVEN.com 805-658-0207 static@ccsteven.com
BREAK ALL SHARP EDGES	APP				
<b>TOLERANCES:</b> ALL DIMS. ARE IN INCHES COMPL. TOL. APPLY TO STOCK SIZES .XX = ±.01 .XXX = ±.005 ANGULAR MACH. SURFACES ✓ DIMENSIONS APPLY AFTER FINISHING, HEAT TREATMENT AND PLATING	MATERIAL	N/A		TITLE	PCS CLEAN TABLE INSTALLATION
	FINISH	N/A			
THIRD ANGLE PROJECTION				SIZE	DATE
				B	9/1/2022 MO / DAY / YR
NEXT ASSY				DRAWING NO.	REV
SCALE: 1:10				PCS-CT-INS	A
SHEET 1 OF 4					



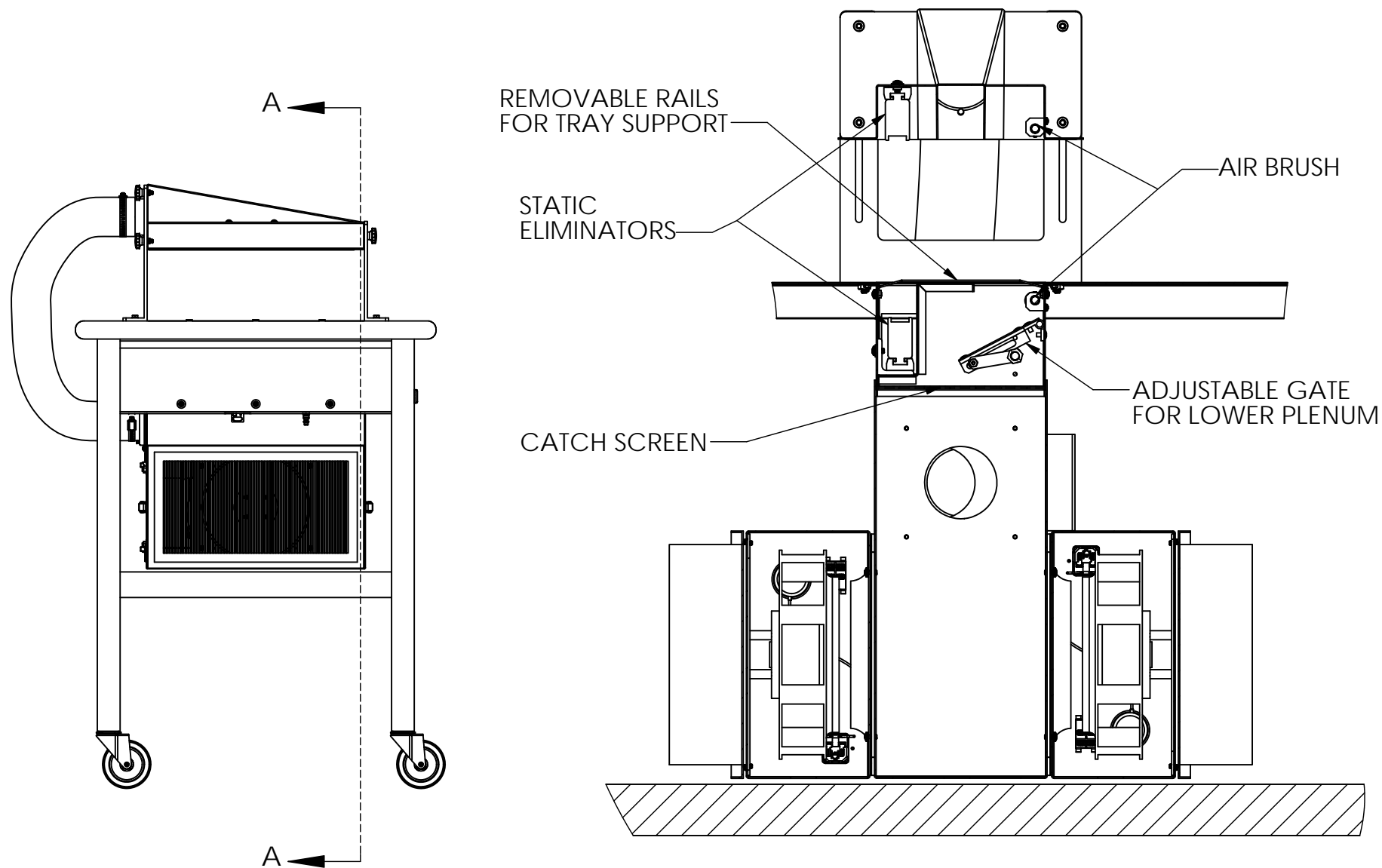
PART NO. PCS-CT

NOTE: THIS PRINT AND THE SUBJECT MATTER SHOWN HEREON ARE PROPRIETARY TO **CRYSTAL MARK, INC.** IT IS SUBMITTED IN CONFIDENCE FOR THE USE OF THE RECIPIENT ALONE. IT IS NOT TO BE REPRODUCED OR USED FOR ANY PURPOSE OTHER THAN MANUFACTURING ON A C.M.I. ORDER. OTHER USE ALLOWABLE ONLY WITH PRIOR WRITTEN CONSENT.

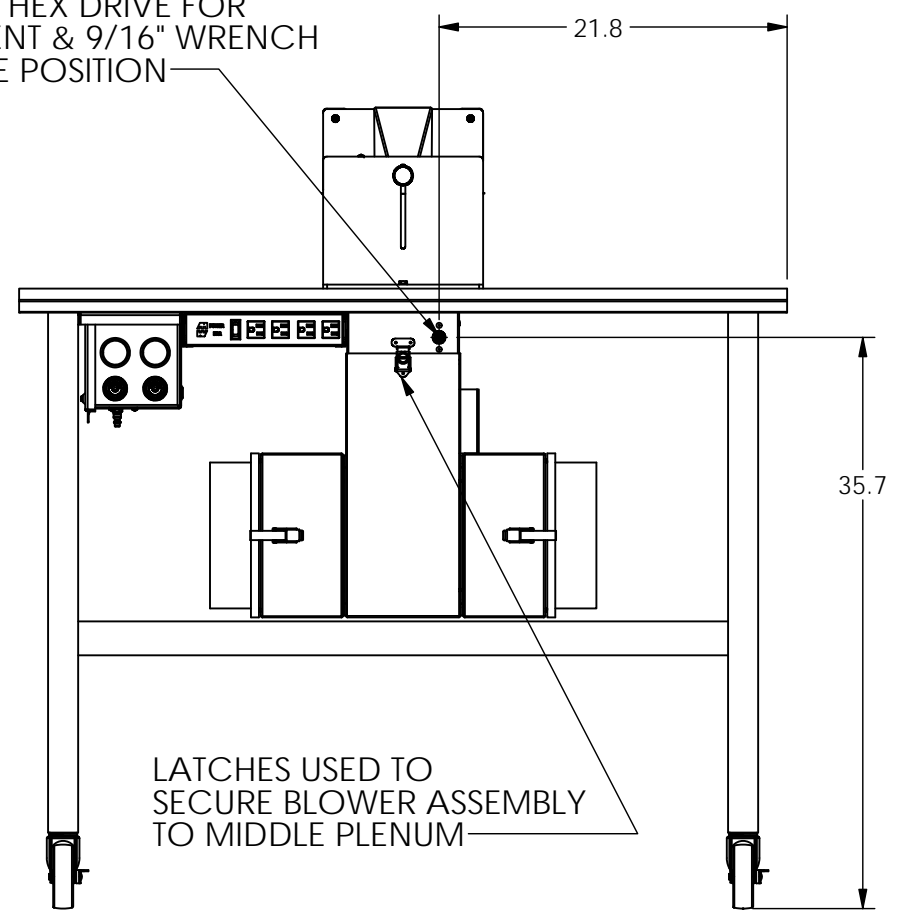
NOTES: UNLESS OTHERWISE SPECIFIED:

DRILLED HOLES	
DIAMETER	TOLERANCE
.7656-1.000	+.007,-.003
.250-.750	+.005,-.002
.1875-.246	+.004,-.002
.00135-.185	+.003,-.002

DO NOT SCALE THE DRG.	DR	R. STUEVE	09/22	<i>C.C. Steven</i>	C.C. Steven & Associates Inc. www.CCSTEVEN.com 805-658-0207 static@ccsteven.com
BREAK ALL SHARP EDGES	APP				
<b>TOLERANCES:</b> ALL DIMS. ARE IN INCHES COMPL. TOL. APPLY TO STOCK SIZES .XX = ±.01 .XXX = ±.005 ANGULAR MACH. SURFACES ✓ DIMENSIONS APPLY AFTER FINISHING, HEAT TREATMENT AND PLATING	MATERIAL	N/A		TITLE	PCS CLEAN TABLE INSTALLATION
	FINISH	N/A			
THIRD ANGLE PROJECTION				SIZE	DATE
				B	9/1/2022 MO / DAY / YR
				DRAWING NO.	REV
NEXT ASSY				PCS-CT-INS	A
				SCALE: 1:10	SHEET 2 OF 4



SHAFT FOR LOWER GATE, USES 3/16" HEX DRIVE FOR ADJUSTMENT & 9/16" WRENCH TO SECURE POSITION



REMOVABLE RAILS FOR TRAY SUPPORT  
 STATIC ELIMINATORS  
 AIR BRUSH  
 ADJUSTABLE GATE FOR LOWER PLENUM  
 CATCH SCREEN

LATCHES USED TO SECURE BLOWER ASSEMBLY TO MIDDLE PLENUM

SECTION A-A  
 SCALE 1 : 6

PART NO. PCS-CT

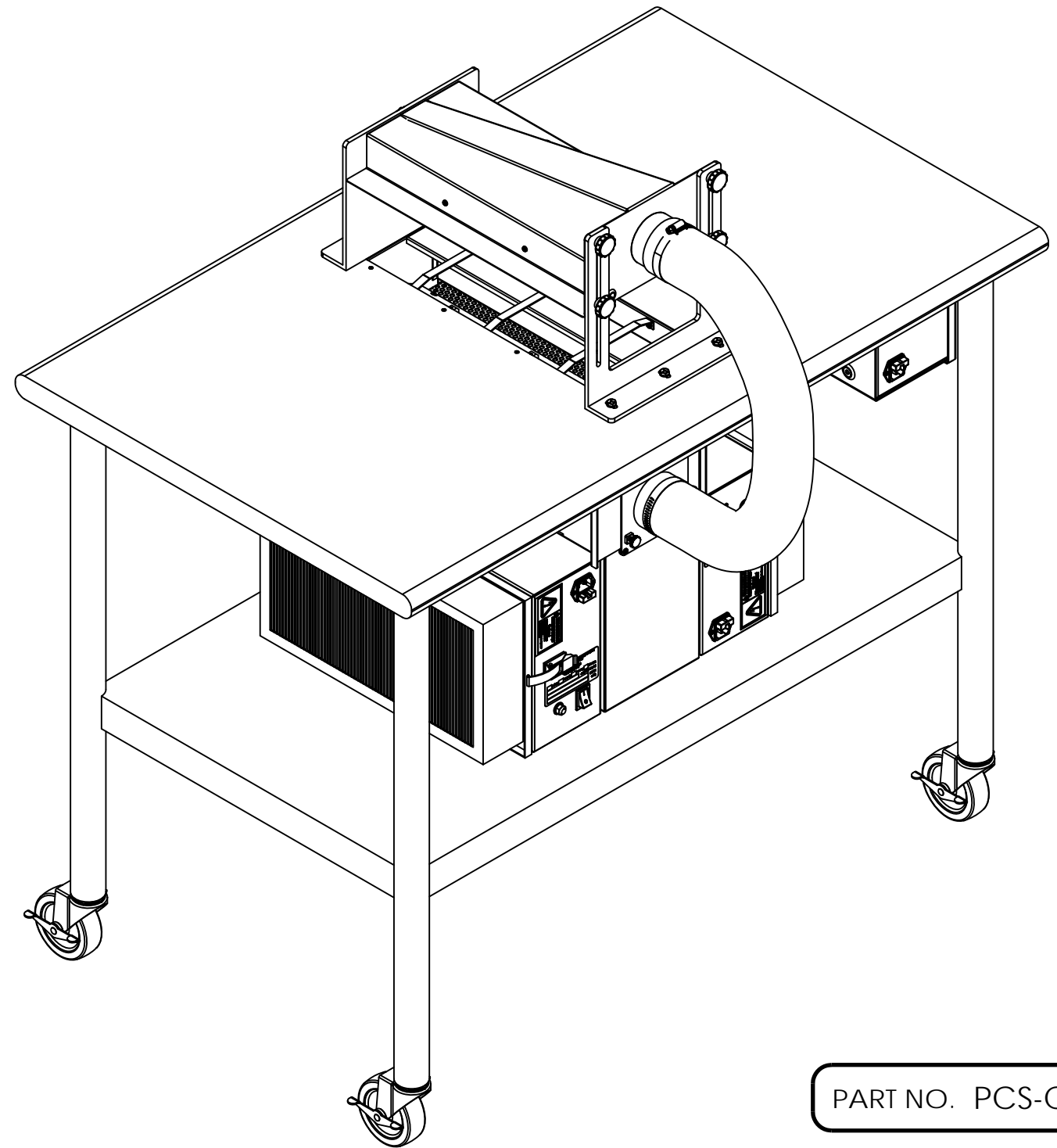
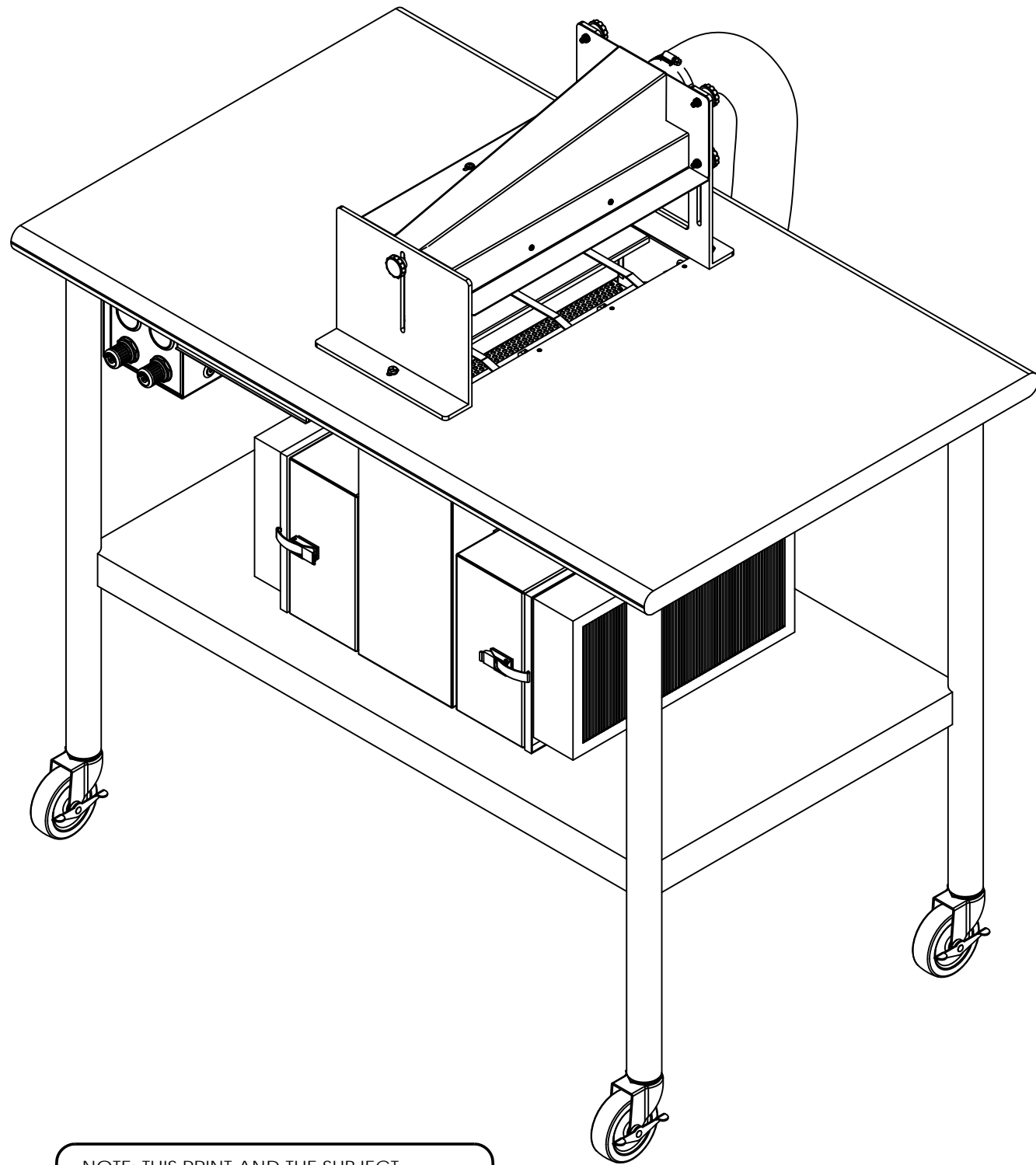
NOTE: THIS PRINT AND THE SUBJECT MATTER SHOWN HEREON ARE PROPRIETARY TO **CRYSTAL MARK, INC.** IT IS SUBMITTED IN CONFIDENCE FOR THE USE OF THE RECIPIENT ALONE. IT IS NOT TO BE REPRODUCED OR USED FOR ANY PURPOSE OTHER THAN MANUFACTURING ON A C.M.I. ORDER. OTHER USE ALLOWABLE ONLY WITH PRIOR WRITTEN CONSENT.

NOTES: UNLESS OTHERWISE SPECIFIED:

DRILLED HOLES	
DIAMETER	TOLERANCE
.7656-1.000	+.007,-.003
.250-.750	+.005,-.002
.1875-.246	+.004,-.002
.00135-.185	+.003,-.002

DO NOT SCALE THE DRG.	DR	R. STUEVE	09/22
BREAK ALL SHARP EDGES	APP		
TOLERANCES: ALL DIMS. ARE IN INCHES COML. TOL. APPLY TO STOCK SIZES .XX = ±.01 .XXX = ±.005 ANGULAR MACH. SURFACES ✓	MATERIAL	N/A	
	FINISH	N/A	
DIMENSIONS APPLY AFTER FINISHING, HEAT TREATMENT AND PLATING	THIRD ANGLE PROJECTION		

<i>C.C. Steven</i>		C.C.Steven & Associates Inc. www.CCSTEVEN.com 805-658-0207 static@ccsteven.com	
TITLE PCS CLEAN TABLE INSTALLATION			
SIZE B	DATE 9/1/2022 MO / DAY / YR	DRAWING NO. PCS-CT-INS	REV A
NEXT ASSY	SCALE: 1:12	SHEET 3 OF 4	


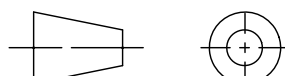


PART NO. PCS-CT

NOTE: THIS PRINT AND THE SUBJECT MATTER SHOWN HEREON ARE PROPRIETARY TO **CRYSTAL MARK, INC.** IT IS SUBMITTED IN CONFIDENCE FOR THE USE OF THE RECIPIENT ALONE. IT IS NOT TO BE RE-PRODUCED OR USED FOR ANY PURPOSE OTHER THAN MANUFACTURING ON A C.M.I. ORDER. OTHER USE ALLOWABLE ONLY WITH PRIOR WRITTEN CONSENT.

NOTES: UNLESS OTHERWISE SPECIFIED:

DRILLED HOLES	
DIAMETER	TOLERANCE
.7656-1.000	+.007,-.003
.250-.750	+.005,-.002
.1875-.246	+.004,-.002
.00135-.185	+.003,-.002

DO NOT SCALE THE DRG.	DR	R. STUEVE	09/22	 <b>C.C. Steven &amp; Associates Inc.</b> www.CCSTEVEN.com 805-658-0207 static@ccsteven.com			
BREAK ALL SHARP EDGES	APP						
<b>TOLERANCES:</b> ALL DIMS. ARE IN INCHES COMPL. TOL. APPLY TO STOCK SIZES .XX = ±.01 .XXX = ±.005 ANGULAR MACH. SURFACES ✓ DIMENSIONS APPLY AFTER FINISHING, HEAT TREATMENT AND PLATING	MATERIAL	N/A		TITLE <b>PCS CLEAN TABLE INSTALLATION</b>			
	FINISH	N/A					
THIRD ANGLE PROJECTION 				SIZE <b>B</b>	DATE 9/1/2022 MO / DAY / YR	DRAWING NO. <b>PCS-CT-INS</b>	REV <b>A</b>
				NEXT ASSY	SCALE: 1:8	SHEET 4 OF 4	